

Pendant&Surface CS3570

# CS3570-A60



# CS3570-A60

## Basic Parameters

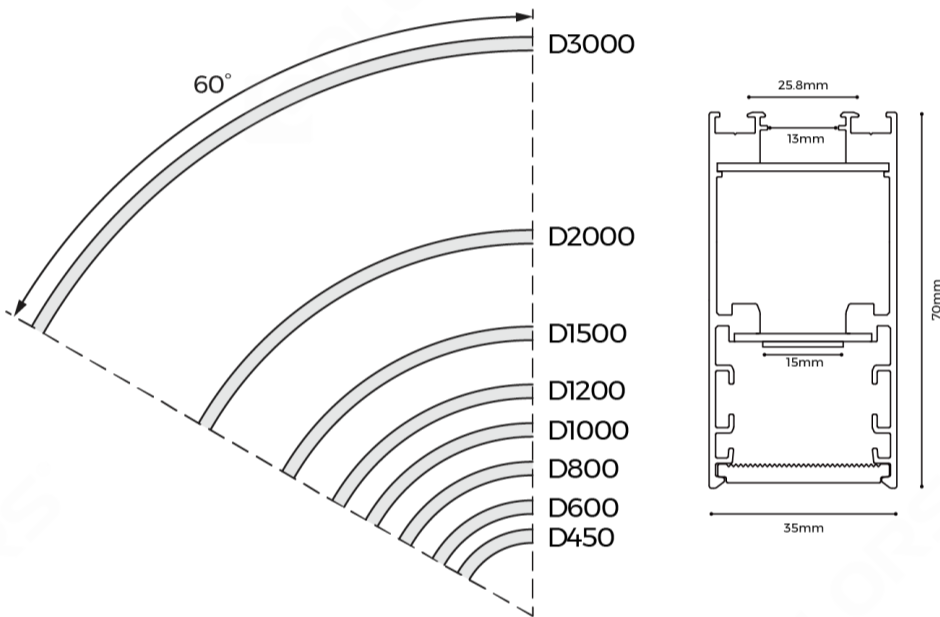
Application	Indoor
Material	AL6063-T5,spraying surface
IP Grade	IP20
Warranty	5 years

## Electrical Parameters

### Optical Parameters

SDCM	≤3 Step(ANSI)
Length	D450mm,D600mm,D800mm,D1000mm,D1200mm,D1500mm,D2000mm,D3000mm
Luminous Efficacy	70LM/W

## Dimensions

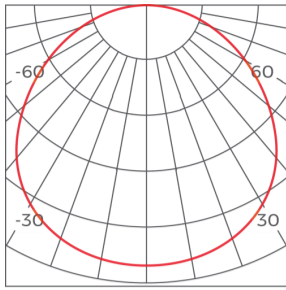


## Luminaire Parameters

Version	Size(mm)	Power(W)	PCB Current(A)	CRI	CCT	Lumens(LM) @White, Silver	Lumens(LM) @Black
Regular	D450mm	5	0.21	>80	4000K	350	297
Regular	D600mm	6	0.25	>80	4000K	420	357
Regular	D800mm	8	0.33	>80	4000K	560	476
Regular	D1000mm	10	0.42	>80	4000K	700	595
Regular	D1200mm	12	0.5	>80	4000K	840	714
Regular	D1500mm	15	0.625	>80	4000K	1050	892
Regular	D2000mm	20	0.83	>80	4000K	1400	1190
Regular	D3000mm	30	1.25	>80	4000K	2100	1785
Regular	D450mm	5	0.21	>90	4000K	301	255
Regular	D600mm	6	0.25	>90	4000K	361	307
Regular	D800mm	8	0.33	>90	4000K	481	409
Regular	D1000mm	10	0.42	>90	4000K	602	511
Regular	D1200mm	12	0.5	>90	4000K	722	614
Regular	D1500mm	15	0.625	>90	4000K	903	767
Regular	D2000mm	20	0.83	>90	4000K	1204	1023
Regular	D3000mm	30	1.25	>90	4000K	1806	1535

## Light Distribution

Regular-110°



h(m)	D(cm)	E(lx)
1	277	242
2	554	60
3	831	26
4	1108	14

Common Accessories

Splicing accessory



EX-E18

Applicable product model: CS3570  
 Material process: SPCC/ Electroplating  
 Size: L31.8\*W30\*H15.7mm Quantity:  
 1 PCS/SET Other: Includes mounting screws.

Dedicated light source



DA1682415

Applicable product model : AS3535/AH5060 Size: 5000\*15\*1.5mm Cutting Unit : 35.71mm Input Voltage : DC24V Typ.Power : 20W/M Typ.luminous flux: 756LM/M CCT: RGB CRI: / Other : 20# wire diameter, outer diameter 5mm, red-green-blue-white 4PIN transparent crystal cable



DMA1202415

Applicable product model : AS3535/AH5060 Size: 4000\*15\*1.5mm Cutting Unit : 50mm Input Voltage : DC24V Typ.Power : 25W/M Typ.luminous flux: 724LM/M CCT: RGB Control Mode: DMX CRI: / Other : 20# wire diameter, outer diameter 5mm, red-green-blue-white 4PIN transparent crystal cable



DS81602415

Applicable product model : AS3535/AH5060 Size: 5000\*15\*1.5mm Cutting Unit : 50mm Input Voltage : DC24V Typ.Power : 19.2W/M Typ.luminous flux: 2880LM/M CCT: 2700/3000/3500/4000/5000/6500K CRI: 80/90 Other : 18# wire diameter, PVC material, 2PIN red-black wire



DS83202415

Applicable product model: AS3535/AH5060  
 Size: 4000\*15\*1.5mm  
 Cutting Unit: 50mm/16LEDs  
 Input Voltage: DC24V  
 Typ.Power: 38.4W/M(2700K+6500K)  
 Typ.luminous flux: 2880LM/M@2700K  
 CCT: 2700K+6500K  
 CRI: 80/90  
 Other: Outer diameter 6mm, 18# wire diameter, brown-blue-green 3PIN crystal wire

Cover



CV-CS3535D

Applicable product model: CS3535/CS3570/CE3535 (suitable for down-lighting)  
 Diffuser Nature: Diffuser  
 Material process: silica gel flexible/frosting  
 Light transmittance: ≥55%  
 Size: 20000\*32\*3.5mm  
 Other: Fire protection rating UL94-V2; increased silicone oil on both sides (dustproof)

Controller



CR2-GBA

Product Name: CR2-GBA Input Voltage: 12-48V Output Current: 8A\*2CH, Max 16A Output Power: 192W/384W@12V/24V, 384W/576W@36V/48V Dimming Mode: Two-color 2.4 remote control IP: IP20 Product Size: L175\*W45\*H27(mm)

## End cap accessory



### EC-MS3570

Applicable product model: MS3570  
Material process: aluminum/ powder spraying  
Size: L70\*W35\*H2.5mm  
Quantity: 2PCS/ set

## Installation accessory



### CL-15

Applicable product model: CSXX70  
Installation method: ceiling  
Material process: /  
Size: KA3.5\*50mm  
Quantity: 2PCS/ set



### CP-53

Applicable product model: MS3535/MS3570/ME3535  
Applicable installation: Pendant/Ceiling/Recessed  
Material process: Stainless Steel  
Size: L22.67\*W20\*H5.3mm  
Quantity: 4PCS/SET



### PB-09

Applicable product model: CS3535/CS5035/CS7035/CS3570/CS5070/CS7070  
Installation method: pendant (Power box with wire)  
Material process: SPCC/powder spraying  
Maximum weight capacity: 8Kg  
Size:  
Power Box: L400\*W55\*H50mm  
Wire: D3\*2000mm  
Quantity: 1PCS/ set  
Note:  
1. Including 1PCS Power Box+1PCS input wire; Power supply not included.  
2. One power box holds one power supply  
3. Need to order separate clip(CP-XX) to use with it



### PB-10

Applicable product model: CS3535/CS5035/CS7035/CS3570/CS5070/CS7070  
Installation method: pendant (Power box with rod)  
Material process: SPCC/powder spraying  
Size: Power Box: L400\*W55\*H50mm  
Rod: 1-2 meter adjustable  
Wire: D3\*2000mm  
Quantity: 1PCS/ set  
Note:  
1. Including 1PCS Power Box+1PCS input wire+1PCS rod; Power supply not included.  
2. One power box holds one power supply  
3. Need to order separate clip(CP-XX) to use with it



### PG-IXXX

Applicable product model: LS1911C/LS1911K/LS3535/LS5050/LS3360/LS4067/LS5470(F)/LS7977/LT60/BH360/BH5470/BH7977/BS3360/BS5470/BS7977/LS60/S60/LS25/LH40FD/LH40FP/LH40G/LS40FD/LS40FP/LS40G/LS40GW/M20FD/M20G(A)/M20G/M20I/M20S/R25FD/R25FP/R25G/R25KD/R25L/R35I/R35S/RNR30MJ/RNR30NJ/RNR30NK  
Installation method: pendant  
Material process: /  
Maximum weight capacity: 8KG  
Quantity: 2PCS/ set  
Other: Pendant rod (1-2m adjustable), include 2pcs pendant rods, 2 pcs rectangular screw



### PN(E)-D

Applicable product model: LINE E CO series  
Installation method: Pendant  
Material process: Nickel plating  
Size: /  
Quantity: 2PCS/SET  
Other: 2 meter wire rope 2PCS, cable locker 2PCS, cable holder 2PCS, M5 flat head Phillips screws 2PCS, M4\*35mm screws 2PCS, expansion tube 2PCS



### PN-DXX

Applicable product model: LS1911C/LS1911K/LS3535/LS5050/LS3360/LS4067/LS5470(F)/LS7977/LT60/BH3360/BH5470/BH7977/BS3360/BS5470/BS7977/LS5470(F)/LS7977/LT60/LINE40 series product/LINE60 series product/TLS-R6X0 track  
Installation method: Pendant  
Material process: Pearl Chrome  
Size: /  
Quantity: 2PCS/ set  
Other: Junction box not included, 2 pcs pendant cable accessory, pendant cable length 4m, rectangular screw model.



### PP-A

Applicable product model: CS3535/CS5035/CS7035/CS3570/CS5070/CS7070  
Installation method: pendant (Ceiling plate with wire)  
Material process: Fe/powder spraying  
Maximum weight capacity: 3Kg  
Size: Ceiling Plate: D88\*29mm/Wire: D3\*2000mm  
Open hole: D75mm  
Quantity: 1PCS/ set  
Note : 1. Including 1PCS Ceiling plate+2PCS spring+1PCS input wire. 2. One ceiling plate holds one power supply. 3. Need to order separate clip(CP-XX) to use with it.



### PP-G

Applicable product model: CS3535/CS5035/CS7035/CS3570/CS5070/CS7070  
Installation method: pendant (Ceiling plate with rod)  
Material process: Fe/powder spraying  
Maximum weight capacity: 3Kg  
Size: Ceiling Plate: D88\*29mm/Rod: 1-2 meter adjustable/Wire: D3\*2000mm  
Open hole: D75mm  
Quantity: 1PCS/ set  
Note : 1. Including 1PCS Ceiling plate+2PCS springs+1PCS input wire+1PCS rod. 2. One ceiling plate holds one power supply. 3. Need to order separate clip(CP-XX) to use with it.

## CCT-Remote control



### R7-1

Product Name: R7-1 Dual Color Remote  
Working Voltage : 3VDC (Battery CR2032)  
Operating Frequency: 2.4GHz  
Remote Control Distance: 30 meters  
Operating Temperature: -30°C~55°C  
Product Size: L107\*W58.5\*H9(mm)

**Power Supply**



**BK-DEV200-24V0D**  
 Applicable product model: General  
 Dimming mode: DALI2,PUSH-dimming,1-10V 3in1 dimming  
 Size: 361\*33.1\*22.8mm  
 Input voltage: AC200-240V  
 Operating frequency: 50/60Hz  
 PF value: ≥0.9  
 Output voltage: DC24V  
 Output current: ≤8.3A  
 Power: 200W  
 Efficiency: 0.92  
 Certification: TUV, CE, RCM  
 Case material: Metal housing



**BK-DGVX-24V0D**  
 ProductName: BK-DGV036-24V0D/BK-DGV060-24V0D/BK-DGV100-24V0D  
 Applicable product model: General  
 Output power: 36W/60W/100W  
 Output current: ≤1.5A/≤2.5A/≤4.2A  
 Product size: 245.0\*30.0\*21.0mm/285.0\*30.0\*21.0mm/355.0\*30.0\*21.0mm  
 Input voltage: AC200-240V  
 Operating frequency: 50/60Hz  
 Output voltage: DC24V  
 PF value: ≥0.9  
 Efficiency: ≥0.88  
 IP: IP20  
 Dimming mode: DALI-2,PUSH-Dimming,1-10V 3in1 Dimming  
 Certification: CE, ENEC, UKCA, RCM, CCC, EL  
 Material: Metal housing  
 Warranty: 5 years



**BK-MEV200-24V0M**  
 Applicable product model: General  
 Dimming mode: 1-10V Dimming  
 Size: 321.5\*48\*30mm  
 Input voltage: AC200-240V  
 Operating frequency: 50/60Hz  
 PF value: ≥0.9  
 Output voltage: DC24V  
 Output current: ≤8.3A  
 Power: 200W  
 Efficiency: 0.93  
 Certification: CE, ENEC, UKCA, RCM, CCC, EL  
 Case material: Metal housing



**BK-MGVX-24V0M**  
 ProductName: BK-MGV036-24V0M/BK-MGV060-24V0M/BK-MGV100-24V0M  
 Applicable product model: General  
 Output power: 36W/60W/100W  
 Output current: ≤1.5A/≤2.5A/≤4.2A  
 Product size: 245.0\*30.0\*21.0mm/285.0\*30.0\*21.0mm/355.0\*30.0\*21.0mm  
 Input voltage: AC200-240V  
 Operating frequency: 50/60Hz  
 Output voltage: DC24V  
 PF value: ≥0.9  
 Efficiency: ≥0.89  
 IP: IP20  
 Dimming mode: 1-10V Dimming  
 Certification: TUV, CE, ENEC, RCM  
 Material: Metal housing  
 Warranty: 5 years



**LF-GHYXH24**  
 Applicable product model: General  
 Dimming mode: Non-Dimming  
 Size: 316\*30.7\*22.8mm / 361\*33.1\*22.8mm  
 Input voltage: AC220-240V  
 Operating frequency: 50/60Hz  
 PF value: ≥0.9  
 Output voltage: DC24V  
 Output current: ≤4.25A / ≤10A  
 Power: 100W / 240W  
 Efficiency: 0.92  
 Certification: ENEC,CE,CB,RCM,UKCA,MM,CCC  
 Case material: Plastic

**Packing**

QTY/CTN	N. WT (ctn)	G.WT (ctn)	Size (cm/carton)	Product Size (mm)
27	7.3	8.03	67*28*31	D450*35*70mm
21	7.8	8.58	53*36*31	D600*35*70mm
15	7.5	8.25	40.5*48*31	D800*35*70mm
12	7.3	8.03	42*55.5*31	D1000*35*70mm
12	8.9	9.79	65.5*43*31	D1200*35*70mm
12	13.5	14.85	80.5*63*21	D1500*35*70mm
12	9.7	10.67	105.5*49*31	D2000*35*70mm
8	14.5	15.95	156.5*57*21	D3000*35*70mm